

AudioNav™

Cutting-edge assistive technology device
for an inclusive self-service experience



storm
Interface

The global standard of
self-service accessibility,
tried and tested world-wide
for over a decade.

Our AudioNav combines tactile illuminated keys, rich audio guidance and flexible connectivity to help more people complete self-service journeys independently. It is designed to transform on-screen content in exposed and high-traffic environments, delivering robust access to information, products and services on self-service kiosks.



RNIB

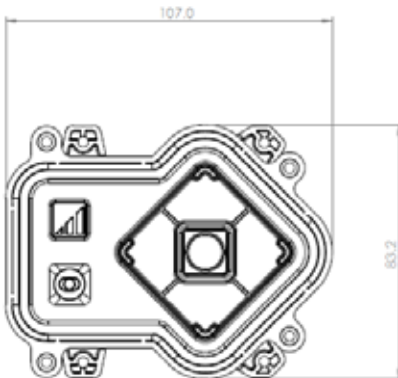
Tried and Tested

Standard AudioNav - Key Benefits:

- Proven and field-tested accessible design
- Seamless integration meeting international standards
- Illuminated green or white keys for visually impaired users
- High personalisation with fully configurable buttons
- Volume adjustment
- Plug & Play installation, all OS supported
- Optional Bluetooth
- Versatile installation (horizontal / vertical)
- Also available in 9 key extended functionality version

Technical Features:

- Audio output, standard 3.5mm audio jack socket
- IP-65 weather-resistant (model dependent)
- Impact-resistant 5J rating (EN62262)
- ADA, EAA and international accessibility laws compliant
- Operating temp. -20°C to +70°C
- 5V DC $\pm 0.25V$, 130mA
- Mini USB B socket (cable not included)



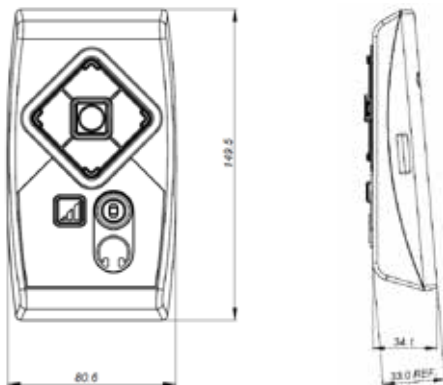
Under Panel
Installation

Externally Mounted AudioNav - Key Benefits:

- Proven and field-tested accessible design
- Externally mounted version for easy retrofitting
- Seamless integration meeting international standards
- Illuminated green keys for visually impaired users
- High personalisation with fully configurable buttons
- Volume adjustment
- Plug & Play installation, all OS supported
- Optional cradle for counter top mounting

Technical Features:

- Audio output, standard 3.5mm audio jack socket
- IP54 weather-resistant
- Impact-resistant 5J rating (EN62262)
- ADA, EAA and international accessibility laws compliant
- Operating temp. -20°C to +70°C
- 5V DC \pm 0.25V, 130mA
- USB A male socket with spiral cable



External
Installation

Angled AudioNav - Key Benefits:

Proven and field-tested accessible design

Ergonomic angled configuration

Seamless integration meeting international standards

Illuminated white keys for visually impaired users

High personalisation with fully configurable buttons

Volume adjustment

Plug & Play installation, all OS supported

Optional Bluetooth

Technical Features:

Audio output, standard 3.5mm audio jack socket

IP65 weather-resistant

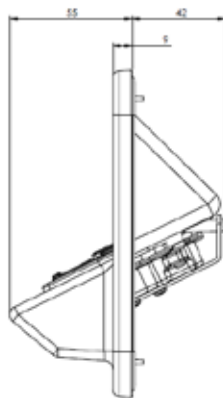
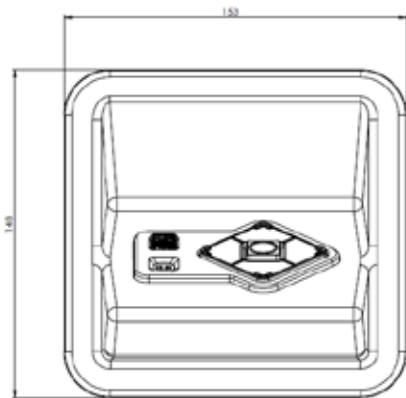
Impact-resistant 5J rating (EN62262)

ADA, EAA and international accessibility laws compliant

Operating temp. -20°C to +70°C

5V DC \pm 0.25V, 130mA

Mini USB B socket (cable not included)



Angled
Installation

Need help with your
accessibility journey?
Contact us to speak
with an accessibility
expert.

storm-interface.com
info@storm-interface.com



These products are licensed under NCR's design rights, including NCR U.S. Design Patent D687,783 and European Design Registration 001887290.

Storm®, Storm Interface® and related product names are trademarks of Keymat Technology Ltd. Certain technologies within Storm Interface products are protected by international patents and design registrations. © Keymat Technology Ltd. 2025. All rights reserved.

storm-interface.com
info@storm-interface.com